

TXB0104 4-Bit Bidirectional Voltage-level Translator With Automatic Direction Sensing and ± 15 -kV ESD Protection

1 Features

- 1.2 V to 3.6 V on A Port and 1.65 V to 5.5 V on B Port ($V_{CCA} \leq V_{CCB}$)
- V_{CC} Isolation Feature: If Either V_{CC} Input Is at GND, All Outputs Are in the High-Impedance State
- Output Enable (OE) Input Circuit Referenced to V_{CCA}
- Low Power Consumption, 5- μ A Maximum I_{CC}
- I_{OFF} Supports Partial Power-Down Mode Operation
- Latch-Up Performance Exceeds 100 mA Per JESD 78, Class II
- ESD Protection Exceeds JESD 22
 - A Port:
 - 2500-V Human-Body Model (A114-B)
 - 1500-V Charged-Device Model (C101)
 - B Port:
 - ± 15 -kV Human-Body Model (A114-B)
 - 1500-V Charged-Device Model (C101)

2 Applications

- Headsets
- Smartphones
- Tablets
- Desktop PC

3 Description

This TXB0104 4-bit noninverting translator uses two separate configurable power-supply rails. The A port is designed to track V_{CCA} . V_{CCA} accepts any supply voltage from 1.2 V to 3.6 V. The B port is designed to track V_{CCB} . V_{CCB} accepts any supply voltage from 1.65 V to 5.5 V. This allows for universal low-voltage bidirectional translation between any of the 1.2-V, 1.5-V, 1.8-V, 2.5-V, 3.3-V, and 5-V voltage nodes. V_{CCA} must not exceed V_{CCB} .

When the OE input is low, all outputs are placed in the high-impedance state. To ensure the high-impedance state during power up or power down, OE must be tied to GND through a pulldown resistor. The current sourcing capability of the driver determines the minimum value of the resistor.

The TXB0104 device is designed so the OE input circuit is supplied by V_{CCA} .

This device is fully specified for partial power-down applications using I_{OFF} . The I_{OFF} circuitry disables the outputs, which prevents damaging current backflow through the device when the device is powered down.

Device Information⁽¹⁾

PART NUMBER	PACKAGE	BODY SIZE (NOM)
TXB0104RUT	UQFN (12)	2.00 mm x 1.70 mm
TXB0104D	SOIC (14)	8.65 mm x 3.91 mm
TXB0104ZXU/GXU	BGA MICROSTAR JUNIOR™ (12)	2.00 mm x 2.50 mm
TXB0104PW	TSSOP (14)	5.00 mm x 4.40 mm
TXB0104RGY	VQFN (14)	3.50 mm x 3.50 mm
TXB0104YZT	DSBGA (12)	1.40 mm x 1.90 mm

(1) For all available packages, see the orderable addendum at the end of the data sheet.

Typical Application Block Diagram for TXB010X

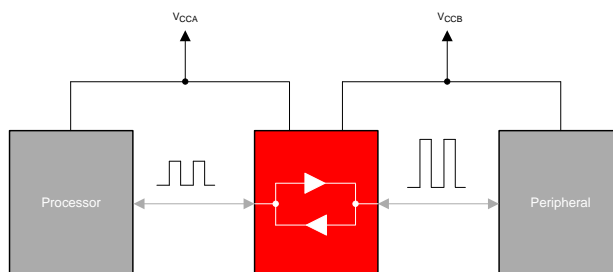


Table of Contents

1 Features	1	V _{CCB} = 1.8 V to 5 V	12
2 Applications	1	7 Typical Characteristics	13
3 Description	1	8 Parameter Measurement Information	14
4 Revision History	2	9 Detailed Description	16
5 Pin Configuration and Functions	3	9.1 Overview	16
6 Specifications	5	9.2 Functional Block Diagram	16
6.1 Absolute Maximum Ratings	5	9.3 Feature Description.....	17
6.2 ESD Ratings	5	9.4 Device Functional Modes.....	19
6.3 Recommended Operating Conditions.....	6	10 Application and Implementation	20
6.4 Thermal Information	6	10.1 Application Information.....	20
6.5 Electrical Characteristics	7	10.2 Typical Application	20
6.6 Timing Requirements: V _{CCA} = 1.2 V	8	11 Power Supply Recommendations	22
6.7 Timing Requirements: V _{CCA} = 1.5 V ± 0.1 V	8	12 Layout	22
6.8 Timing Requirements: V _{CCA} = 1.8 V ± 0.15 V	8	12.1 Layout Guidelines	22
6.9 Timing Requirements: V _{CCA} = 2.5 V ± 0.2 V	8	12.2 Layout Example	22
6.10 Timing Requirements: V _{CCA} = 3.3 V ± 0.3 V	8	13 Device and Documentation Support	23
6.11 Switching Characteristics: V _{CCA} = 1.2 V	9	13.1 Receiving Notification of Documentation Updates	23
6.12 Switching Characteristics: V _{CCA} = 1.5 V ± 0.1 V ...	9	13.2 Community Resources.....	23
6.13 Switching Characteristics: V _{CCA} = 1.8 V ± 0.15 V	10	13.3 Trademarks	23
6.14 Switching Characteristics: V _{CCA} = 2.5 V ± 0.2 V ..	10	13.4 Electrostatic Discharge Caution.....	23
6.15 Switching Characteristics: V _{CCA} = 3.3 V ± 0.3 V ..	11	13.5 Glossary	23
6.16 Operating Characteristics: V _{CCA} = 1.2 V to 1.5 V, V _{CCB} = 1.5 V to 1.8 V.....	12	14 Mechanical, Packaging, and Orderable Information	24
6.17 Operating Characteristics: V _{CCA} = 1.8 V to 3.3 V,			

4 Revision History

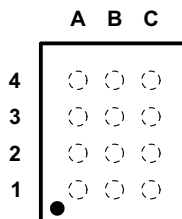
NOTE: Page numbers for previous revisions may differ from page numbers in the current version.

Changes from Revision G (November 2014) to Revision H	Page
• Added package families to package pinout drawings in <i>Pin Configuration and Functions</i> section	3
• Added junction temperature range in <i>Absolute Maximum Rating</i> stable.....	5
• Changed unit from V to kV in <i>ESD Ratings</i> table.....	5

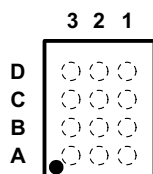
Changes from Revision F (May 2012) to Revision G	Page
• Added <i>Pin Configuration and Functions</i> section, <i>Handling Rating</i> table, <i>Feature Description</i> section, <i>Device Functional Modes</i> , <i>Application and Implementation</i> section, <i>Power Supply Recommendations</i> section, <i>Layout</i> section, <i>Device and Documentation Support</i> section, and <i>Mechanical, Packaging, and Orderable Information</i> section	1

5 Pin Configuration and Functions

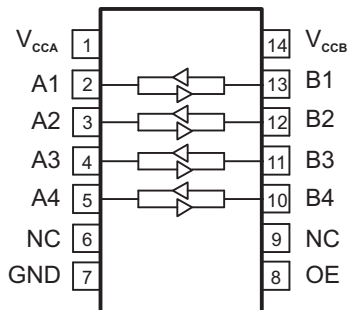
GXU and ZXU Package
12-Pin BGA Microstar Junior
Top View



YZT Package
12-Pin DSBGA
Top View

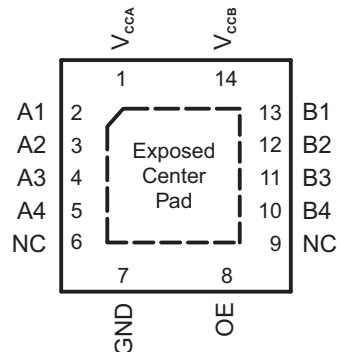


D or PW Package
14-Pin SOIC or TSSOP
Top View



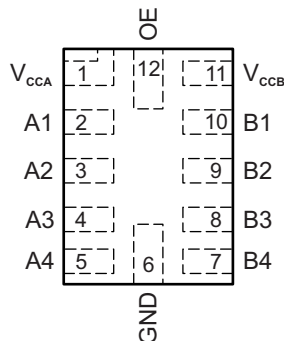
NC – No internal connection

RGY Package
14-Pin VQFN With Exposed Thermal Pad
Top View



NC – No internal connection

RUT Package
12-Pin UQFN
Top View



Pin Functions

NAME	PIN			I/O	DESCRIPTION
	D, PW	RGY	RUT		
A1	2	2	2	I/O	Input/output 1. Referenced to V_{CCA} .
A2	3	3	3	I/O	Input/output 2. Referenced to V_{CCA} .
A3	4	4	4	I/O	Input/output 3. Referenced to V_{CCA} .
A4	5	5	5	I/O	Input/output 4. Referenced to V_{CCA} .
B1	13	13	10	I/O	Input/output 1. Referenced to V_{CCB} .
B2	12	12	9	I/O	Input/output 2. Referenced to V_{CCB} .
B3	11	11	8	I/O	Input/output 3. Referenced to V_{CCB} .
B4	10	10	7	I/O	Input/output 4. Referenced to V_{CCB} .
GND	7	7	6		Ground
NC	6, 9	6,9	—	—	No connection. Not internally connected.
OE	8	8		O	Tri-state output-mode enable. Pull OE low to place all outputs in tri-state mode. Referenced to V_{CCA} .
V_{CCA}	1	1	1	—	A-port supply voltage $1.2\text{ V} \leq V_{CCA} \leq 3.6\text{ V}$ and $V_{CCA} \leq V_{CCB}$.
V_{CCB}	14	14	11	—	B-port supply voltage $1.65\text{ V} \leq V_{CCB} \leq 5.5\text{ V}$.
Thermal pad	—		—	—	For the RGY package, the exposed center thermal pad must either be connected to Ground or left electrically open.

6 Specifications

6.1 Absolute Maximum Ratings⁽¹⁾

over operating free-air temperature range (unless otherwise noted)

		MIN	MAX	UNIT
Supply voltage, V_{CCA}		-0.5	4.6	V
Supply voltage, V_{CCB}		-0.5	6.5	
Input voltage, V_I	A port	-0.5	4.6	V
	B port	-0.5	6.5	
Voltage applied to any output in the high-impedance or power-off state, V_O	A port	-0.5	4.6	V
	B port	-0.5	6.5	
Voltage applied to any output in the high or low state, V_O ⁽²⁾	A port	-0.5	$V_{CCA} + 0.5$	V
	B port	-0.5	$V_{CCB} + 0.5$	
Input clamp current, I_{IK}	$V_I < 0$		-50	mA
Output clamp current, I_{OK}	$V_O < 0$		-50	mA
Continuous output current, I_O		-50	50	mA
Continuous current through V_{CCA} , V_{CCB} , or GND		-100	100	mA
Junction temperature range, T_J			150	°C
Storage temperature range, T_{stg}		-65	150	°C

- (1) Stresses beyond those listed under *Absolute Maximum Ratings* may cause permanent damage to the device. These are stress ratings only, and functional operation of the device at these or any other conditions beyond those indicated under *Recommended Operating Conditions* is not implied. Exposure to absolute-maximum-rated conditions for extended periods may affect device reliability.
- (2) The value of V_{CCA} and V_{CCB} are provided in the recommended operating conditions table.

6.2 ESD Ratings

			VALUE	UNIT
$V_{(ESD)}$ Electrostatic discharge	Human-body model (HBM), per ANSI/ESDA/JEDEC JS-001 ⁽¹⁾	A port	±2.5	kV
	Human-body model (HBM), per ANSI/ESDA/JEDEC JS-001 ⁽¹⁾	B port	±15	
	Charged-device model (CDM), per JEDEC specification JESD22-C101 ⁽²⁾	A port	±1.5	
	Charged-device model (CDM), per JEDEC specification JESD22-C101 ⁽²⁾	B port	±1.5	

- (1) JEDEC document JEP155 states that 500-V HBM allows safe manufacturing with a standard ESD control process.
- (2) JEDEC document JEP157 states that 250-V CDM allows safe manufacturing with a standard ESD control process.

6.3 Recommended Operating Conditions

 over operating free-air temperature range (unless otherwise noted)⁽¹⁾⁽²⁾

			MIN	MAX	UNIT	
V _{CCA}	Supply voltage		1.2	3.6	V	
V _{CCB}	Supply voltage		1.65	5.5		
V _{IH}	High-level input voltage	Data inputs	V _{CCA} = 1.2 V to 3.6 V V _{CCB} = 1.65 V to 5.5 V	V _{CCI} × 0.65 ⁽³⁾	V _{CCI}	V
		OE	V _{CCA} = 1.2 V to 3.6 V V _{CCB} = 1.65 V to 5.5 V	V _{CCA} × 0.65	5.5	
V _{IL}	Low-level input voltage	Data inputs	V _{CCA} = 1.2 V to 5.5 V V _{CCB} = 1.65 V to 5.5 V	0	V _{CCI} × 0.35 ⁽³⁾	V
		OE	V _{CCA} = 1.2 V to 3.6 V V _{CCB} = 1.65 V to 5.5 V	0	V _{CCA} × 0.35	
V _O	Voltage applied to any output in the high-impedance or power-off state	A-port	V _{CCA} = 1.2 V to 3.6 V V _{CCB} = 1.65 V to 5.5 V	0	3.6	V
		B-port	V _{CCA} = 1.2 V to 3.6 V V _{CCB} = 1.65 V to 5.5 V	0	5.5	
Δt/ΔV	Input transition rise or fall rate	A-port inputs	V _{CCA} = 1.2 V to 3.6 V V _{CCB} = 1.65 V to 5.5 V		40	ns/V
		B-port inputs	V _{CCA} = 1.2 V to 3.6 V	V _{CCB} = 1.65 V to 3.6 V	40	
				V _{CCB} = 4.5 V to 5.5 V	30	
T _A	Operating free-air temperature			–40	85	°C

 (1) The A and B sides of an unused data I/O pair must be held in the same state, i.e., both at V_{CCI} or both at GND.

 (2) V_{CCA} must be less than or equal to V_{CCB} and must not exceed 3.6 V.

 (3) V_{CCI} is the supply voltage associated with the input port.

6.4 Thermal Information

THERMAL METRIC ⁽¹⁾	TXB0104						UNIT	
	D	GXU/ZXU	PW	RGY	RUT	YZT		
	14 PINS	12 PINS	14 PINS	14 PINS	12 PINS	12 PINS		
R _{θJA}	Junction-to-ambient thermal resistance	90.7	127.1	121.0	52.8	119.8	89.2	°C/W
R _{θJC(top)}	Junction-to-case (top) thermal resistance	50.5	92.8	50.0	67.7	42.6	0.9	
R _{θJB}	Junction-to-board thermal resistance	45.4	62.2	62.8	28.9	52.5	14.4	
Ψ _{JT}	Junction-to-top characterization parameter	14.7	2.3	6.4	2.6	0.7	3.0	
Ψ _{JB}	Junction-to-board characterization parameter	45.1	62.2	62.2	29.0	52.3	14.4	
R _{θJC(bot)}	Junction-to-case (bottom) thermal resistance	–	–	–	–	–	–	

 (1) For more information about traditional and new thermal metrics, see the [IC Package Thermal Metrics application report](#).

6.5 Electrical Characteristics⁽¹⁾⁽²⁾

over recommended operating free-air temperature range (unless otherwise noted)

PARAMETER	TEST CONDITIONS	V _{CCA}	V _{CCB}	T _A = 25°C			–40°C to 85°C		UNIT
				MIN	TYP	MAX	MIN	MAX	
V _{OHA} Port A output high voltage	I _{OH} = –20 μA	1.2 V		1.1			V _{CCA} – 0.4		V
		1.4 V to 3.6 V							
V _{OLA} Port A output low voltage	I _{OL} = 20 μA	1.2 V		0.3					V
		1.4 V to 3.6 V					0.4		
V _{OHB} Port B output high voltage	I _{OH} = –20 μA		1.65 V to 5.5 V				V _{CCB} – 0.4		V
V _{OLB} Port B output low voltage	I _{OL} = 20 μA		1.65 V to 5.5 V				0.4		V
I _I Inflection-point current	OE: V _I = V _{CCI} or GND	1.2 V to 3.6 V	1.65 V to 5.5 V	–1	1		–2	2	μA
I _{off} Off-state current	A port: V _I or V _O = 0 to 3.6 V	0 V	0 V to 5.5 V	–1	1		–2	2	μA
	B port: V _I or V _O = 0 to 5.5 V	0 V to 3.6 V	0 V	–1	1		–2	2	
I _{OZ} High-impedance-state output current	A or B port: OE = GND	1.2 V to 3.6 V	1.65 V to 5.5 V	–1	1		–2	2	μA
I _{CCA} V _{CCA} supply current	V _I = V _{CCI} or GND I _O = 0	1.2 V	1.65 V to 5.5 V	0.06					μA
		1.4 V to 3.6 V	1.65 V to 5.5 V				5		
		3.6 V	0 V				2		
		0 V	5.5 V				–2		
I _{CCB} V _{CCB} supply current	V _I = V _{CCI} or GND I _O = 0	1.2 V	1.65 V to 5.5 V	3.4					μA
		1.4 V to 3.6 V	1.65 V to 5.5 V				5		
		3.6 V	0 V				–2		
		0 V	5.5 V				2		
I _{CCA} + I _{CCB} Combined supply current	V _I = V _{CCI} or GND I _O = 0	1.2 V	1.65 V to 5.5 V	3.5					μA
		1.4 V to 3.6 V	1.65 V to 5.5 V				10		
I _{CCZA} High-impedance state, V _{CCA} supply current	V _I = V _{CCI} or GND I _O = 0, OE = GND	1.2 V	1.65 V to 5.5 V	0.05					μA
		1.4 V to 3.6 V	1.65 V to 5.5 V				5		
I _{CCZB} High-impedance state, V _{CCB} supply current	V _I = V _{CCI} or GND I _O = 0, OE = GND	1.2 V	1.65 V to 5.5 V	3.3					μA
		1.4 V to 3.6 V	1.65 V to 5.5 V				5		
C _i Input capacitance	OE	1.2 V to 3.6 V	1.65 V to 5.5 V	3			4		pF
C _{io} Input-to-output internal capacitance	A port	1.2 V to 3.6 V	1.65 V to 5.5 V	5			6		pF
	B port	1.2 V to 3.6 V	1.65 V to 5.5 V	11			14		

(1) V_{CCI} is the supply voltage associated with the input port.

(2) V_{CCO} is the supply voltage associated with the output port.

6.6 Timing Requirements: $V_{CCA} = 1.2\text{ V}$

 $T_A = 25^\circ\text{C}$, $V_{CCA} = 1.2\text{ V}$

			$V_{CCB} = 1.8\text{ V}$			$V_{CCB} = 2.5\text{ V}$			$V_{CCB} = 3.3\text{ V}$			$V_{CCB} = 5\text{ V}$			UNIT
			MIN	TYP	MAX	MIN	TYP	MAX	MIN	TYP	MAX	MIN	TYP	MAX	
Data rate			20			20			20			20			Mbps
t_w	Pulse duration	Data inputs	50			50			50			50			ns

6.7 Timing Requirements: $V_{CCA} = 1.5\text{ V} \pm 0.1\text{ V}$

 over recommended operating free-air temperature range, $V_{CCA} = 1.5\text{ V} \pm 0.1\text{ V}$ (unless otherwise noted)

			$V_{CCB} = 1.8\text{ V} \pm 0.15\text{ V}$		$V_{CCB} = 2.5\text{ V} \pm 0.2\text{ V}$		$V_{CCB} = 3.3\text{ V} \pm 0.3\text{ V}$		$V_{CCB} = 5\text{ V} \pm 0.5\text{ V}$		UNIT
			MIN	MAX	MIN	MAX	MIN	MAX	MIN	MAX	
Data rate			40		40		40		40		Mbps
t_w	Pulse duration	Data inputs	25		25		25		25		ns

6.8 Timing Requirements: $V_{CCA} = 1.8\text{ V} \pm 0.15\text{ V}$

 over recommended operating free-air temperature range, $V_{CCA} = 1.8\text{ V} \pm 0.15\text{ V}$ (unless otherwise noted)

			$V_{CCB} = 1.8\text{ V} \pm 0.15\text{ V}$		$V_{CCB} = 2.5\text{ V} \pm 0.2\text{ V}$		$V_{CCB} = 3.3\text{ V} \pm 0.3\text{ V}$		$V_{CCB} = 5\text{ V} \pm 0.5\text{ V}$		UNIT
			MIN	MAX	MIN	MAX	MIN	MAX	MIN	MAX	
Data rate			60		60		60		60		Mbps
t_w	Pulse duration	Data inputs	17		17		17		17		ns

6.9 Timing Requirements: $V_{CCA} = 2.5\text{ V} \pm 0.2\text{ V}$

 over recommended operating free-air temperature range, $V_{CCA} = 2.5\text{ V} \pm 0.2\text{ V}$ (unless otherwise noted)

			$V_{CCB} = 2.5\text{ V} \pm 0.2\text{ V}$		$V_{CCB} = 3.3\text{ V} \pm 0.3\text{ V}$		$V_{CCB} = 5\text{ V} \pm 0.5\text{ V}$		UNIT
			MIN	MAX	MIN	MAX	MIN	MAX	
Data rate			100		100		100		Mbps
t_w	Pulse duration	Data inputs	10		10		10		ns

6.10 Timing Requirements: $V_{CCA} = 3.3\text{ V} \pm 0.3\text{ V}$

 over recommended operating free-air temperature range, $V_{CCA} = 3.3\text{ V} \pm 0.3\text{ V}$ (unless otherwise noted)

			$V_{CCB} = 3.3\text{ V} \pm 0.3\text{ V}$		$V_{CCB} = 5\text{ V} \pm 0.5\text{ V}$		UNIT
			MIN	MAX	MIN	MAX	
Data rate			100		100		Mbps
t_w	Pulse duration	Data inputs	10		10		ns

6.11 Switching Characteristics: $V_{CCA} = 1.2\text{ V}$

 $T_A = 25^\circ\text{C}$, $V_{CCA} = 1.2\text{ V}$

PARAMETER	TEST CONDITIONS	$V_{CCB} = 1.8\text{ V}$			$V_{CCB} = 2.5\text{ V}$			$V_{CCB} = 3.3\text{ V}$			$V_{CCB} = 5\text{ V}$			UNIT
		MIN	TYP	MAX	MIN	TYP	MAX	MIN	TYP	MAX	MIN	TYP	MAX	
t_{pd} Propagation delay time	A-to-B		6.9			5.7			5.3			5.5	ns	
	B-to-A		7.4			6.4			6			5.8		
t_{en} Enable time	OE-to-A		1			1			1			1	μs	
	OE-to-B		1			1			1			1		
t_{dis} Disable time	OE-to-A		18			15			14			14	ns	
	OE-to-B		20			17			16			16		
t_{rA} , t_{fA} Input rise time, input fall time	A-port rise and fall times		4.2			4.2			4.2			4.2	ns	
t_{rB} , t_{fB} Input rise time, input fall time	B-port rise and fall times		2.1			1.5			1.2			1.1	ns	
$t_{SK(O)}$ Skew (time), output	Channel-to-channel skew		0.4			0.5			0.5			1.4	ns	
Maximum data rate			20			20			20			20	Mbps	

6.12 Switching Characteristics: $V_{CCA} = 1.5\text{ V} \pm 0.1\text{ V}$

over recommended operating free-air temperature range, $V_{CCA} = 1.5\text{ V} \pm 0.1\text{ V}$ (unless otherwise noted)

PARAMETER	TEST CONDITIONS	$V_{CCB} = 1.8\text{ V} \pm 0.15\text{ V}$		$V_{CCB} = 2.5\text{ V} \pm 0.2\text{ V}$		$V_{CCB} = 3.3\text{ V} \pm 0.3\text{ V}$		$V_{CCB} = 5\text{ V} \pm 0.5\text{ V}$		UNIT
		MIN	MAX	MIN	MAX	MIN	MAX	MIN	MAX	
t_{pd} Propagation delay time	A-to-B	1.4	12.9	1.2	10.1	1.1	10	0.8	9.9	ns
	B-to-A	0.9	14.2	0.7	12	0.4	11.7	0.3	13.7	
t_{en} Enable time	OE-to-A		1		1		1		1	μs
	OE-to-B		1		1		1		1	
t_{dis} Disable time	OE-to-A	5.9	31	5.7	25.9	5.6	23	5.7	22.4	ns
	OE-to-B	5.4	30.3	4.9	22.8	4.8	20	4.9	19.5	
t_{rA} , t_{fA} Input rise time, input fall time	A-port rise and fall times	1.4	5.1	1.4	5.1	1.4	5.1	1.4	5.1	ns
t_{rB} , t_{fB} Input rise time, input fall time	B-port rise and fall times	0.9	4.5	0.6	3.2	0.5	2.8	0.4	2.7	ns
$t_{SK(O)}$ Skew (time), output	Channel-to-channel skew		0.5		0.5		0.5		0.5	ns
Maximum data rate		40		40		40		40		Mbps

6.13 Switching Characteristics: $V_{CCA} = 1.8\text{ V} \pm 0.15\text{ V}$

 over recommended operating free-air temperature range, $V_{CCA} = 1.8\text{ V} \pm 0.15\text{ V}$ (unless otherwise noted)

PARAMETER	TEST CONDITIONS	$V_{CCB} = 1.8\text{ V} \pm 0.15\text{ V}$		$V_{CCB} = 2.5\text{ V} \pm 0.2\text{ V}$		$V_{CCB} = 3.3\text{ V} \pm 0.3\text{ V}$		$V_{CCB} = 5\text{ V} \pm 0.5\text{ V}$		UNIT
		MIN	MAX	MIN	MAX	MIN	MAX	MIN	MAX	
t_{pd} Propagation delay time	A-to-B	1.6	11	1.4	7.7	1.3	6.8	1.2	6.5	ns
	B-to-A	1.5	12	1.3	8.4	1	7.6	0.9	7.1	
t_{en} Enable time	OE-to-A		1		1		1		1	μs
	OE-to-B		1		1		1		1	
t_{dis} Disable time	OE-to-A	5.9	31	5.1	21.3	5	19.3	5	17.4	ns
	OE-to-B	5.4	30.3	4.4	20.8	4.2	17.9	4.3	16.3	
t_{rA}, t_{fA} Input rise time, input fall time	A-port rise and fall times	1	4.2	1.1	4.1	1.1	4.1	1.1	4.1	ns
t_{rB}, t_{fB} Input rise time, input fall time	B-port rise and fall times	0.9	3.8	0.6	3.2	0.5	2.8	0.4	2.7	ns
$t_{SK(O)}$ Skew (time), output	Channel-to-channel skew		0.5		0.5		0.5		0.5	ns
Maximum data rate		60		60		60		60		Mbps

6.14 Switching Characteristics: $V_{CCA} = 2.5\text{ V} \pm 0.2\text{ V}$

 over recommended operating free-air temperature range, $V_{CCA} = 2.5\text{ V} \pm 0.2\text{ V}$ (unless otherwise noted)

PARAMETER	TEST CONDITIONS	$V_{CCB} = 2.5\text{ V} \pm 0.2\text{ V}$		$V_{CCB} = 3.3\text{ V} \pm 0.3\text{ V}$		$V_{CCB} = 5\text{ V} \pm 0.5\text{ V}$		UNIT
		MIN	MAX	MIN	MAX	MIN	MAX	
t_{pd} Propagation delay time	A-to-B	1.1	6.3	1	5.2	0.9	4.7	ns
	B-to-A	1.2	6.6	1.1	5.1	0.9	4.4	
t_{en} Enable time	OE-to-A		1		1		1	μs
	OE-to-B		1		1		1	
t_{dis} Disable time	OE-to-A	5.1	21.3	4.6	15.2	4.6	13.2	ns
	OE-to-B	4.4	20.8	3.8	16	3.9	13.9	
t_{rA}, t_{fA} Input rise time, input fall time	A-port rise and fall times	0.8	3	0.8	3	0.8	3	ns
t_{rB}, t_{fB} Input rise time, input fall time	B-port rise and fall times	0.7	2.6	0.5	2.8	0.4	2.7	ns
$t_{SK(O)}$ Skew (time), output	Channel-to-channel skew		0.5		0.5		0.5	ns
Maximum data rate		100		100		100		Mbps

6.15 Switching Characteristics: $V_{CCA} = 3.3\text{ V} \pm 0.3\text{ V}$

 over recommended operating free-air temperature range, $V_{CCA} = 3.3\text{ V} \pm 0.3\text{ V}$ (unless otherwise noted)

PARAMETER	TEST CONDITIONS	$V_{CCB} = 3.3\text{ V} \pm 0.3\text{ V}$		$V_{CCB} = 5\text{ V} \pm 0.5\text{ V}$		UNIT
		MIN	MAX	MIN	MAX	
t_{pd} Propagation delay time	A-to-B	0.9	4.7	0.8	4	ns
	B-to-A	1	4.9	0.9	3.8	
t_{en} Enable time	OE-to-A		1		1	μs
	OE-to-B		1		1	
t_{dis} Disable time	OE-to-A	4.6	15.2	4.3	12.1	ns
	OE-to-B	3.8	16	3.4	13.2	
t_{rA}, t_{fA} Input rise time, input fall time	A-port rise and fall times	0.7	2.5	0.7	2.5	ns
t_{rB}, t_{fB} Input rise time, input fall time	B-port rise and fall times	0.5	2.1	0.4	2.7	ns
$t_{SK(O)}$ Skew (time), output	Channel-to-channel skew		0.5		0.5	ns
Maximum data rate		100		100		Mbps

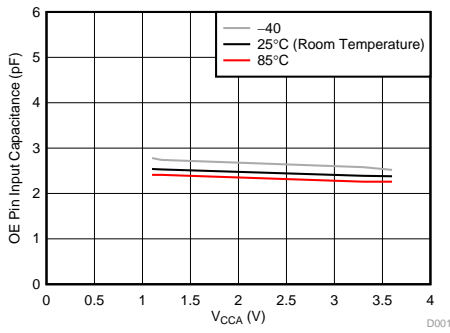
6.16 Operating Characteristics: $V_{CCA} = 1.2\text{ V to }1.5\text{ V}$, $V_{CCB} = 1.5\text{ V to }1.8\text{ V}$
 $T_A = 25^\circ\text{C}$

PARAMETER	TEST CONDITIONS	$V_{CCA} = 1.2\text{ V}, V_{CCB} = 1.5\text{ V}$			$V_{CCA} = 1.2\text{ V}, V_{CCB} = 1.8\text{ V}$			$V_{CCA} = 1.5\text{ V}, V_{CCB} = 1.8\text{ V}$			UNIT	
		MIN	TYP	MAX	MIN	TYP	MAX	MIN	TYP	MAX		
C_{pdA} Power dissipation capacitance	$C_L = 0$ $f = 10\text{ MHz}$ $t_r = t_f = 1\text{ ns}$ OE = V_{CCA} (outputs enabled)	A-port input, B-port output	7.8			10			9			pF
		B-port input, A-port output	12			11			11			
C_{pdB} Power dissipation capacitance		A-port input, B-port output	38.1			28			28			
		B-port input, A-port output	25.4			19			18			
C_{pdA} Power dissipation capacitance	$C_L = 0$ $f = 10\text{ MHz}$ $t_r = t_f = 1\text{ ns}$ OE = GND (outputs disabled)	A-port input, B-port output	0.01			0.01			0.01			pF
		B-port input, A-port output	0.01			0.01			0.01			
C_{pdB} Power dissipation capacitance		A-port input, B-port output	0.01			0.01			0.01			
		B-port input, A-port output	0.01			0.01			0.01			

6.17 Operating Characteristics: $V_{CCA} = 1.8\text{ V to }3.3\text{ V}$, $V_{CCB} = 1.8\text{ V to }5\text{ V}$
 $T_A = 25^\circ\text{C}$

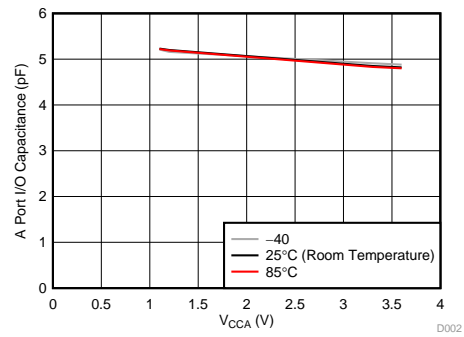
PARAMETER	TEST CONDITIONS	$V_{CCA} = 1.8\text{ V}, V_{CCB} = 1.8\text{ V}$			$V_{CCA} = 2.5\text{ V}, V_{CCB} = 2.5\text{ V}$			$V_{CCA} = 2.5\text{ V}, V_{CCB} = 5\text{ V}$			$V_{CCA} = 3.3\text{ V}, V_{CCB} = 3.3\text{ V to }5\text{ V}$			UNIT	
		MIN	TYP	MAX	MIN	TYP	MAX	MIN	TYP	MAX	MIN	TYP	MAX		
C_{pdA} Power dissipation capacitance	$C_L = 0$ $f = 10\text{ MHz}$ $t_r = t_f = 1\text{ ns}$ OE = V_{CCA} (outputs enabled)	A-port input, B-port output	8			8			8			9			pF
		B-port input, A-port output	11			11			11			11			
C_{pdB} Power dissipation capacitance		A-port input, B-port output	28			29			29			29			
		B-port input, A-port output	18			19			21			22			
C_{pdA} Power dissipation capacitance	$C_L = 0$ $f = 10\text{ MHz}$ $t_r = t_f = 1\text{ ns}$ OE = GND (outputs disabled)	A-port input, B-port output	0.01			0.01			0.01			0.01			pF
		B-port input, A-port output	0.01			0.01			0.01			0.01			
C_{pdB} Power dissipation capacitance		A-port input, B-port output	0.01			0.01			0.01			0.03			
		B-port input, A-port output	0.01			0.01			0.01			0.04			

7 Typical Characteristics



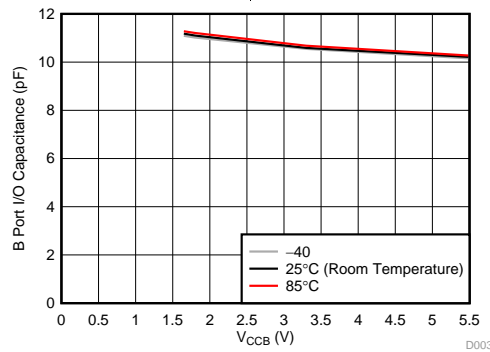
V_{CCB} = 3.3 V

Figure 1. Input Capacitance for OE Pin (C_i) vs Power Supply (V_{CCA})



V_{CCB} = 3.3 V

Figure 2. Capacitance for A port I/O Pins (C_{iO}) vs Power Supply (V_{CCA})



V_{CCA} = 1.8 V

Figure 3. Capacitance for B Port I/O Pins (C_{iO}) vs Power Supply (V_{CCB})

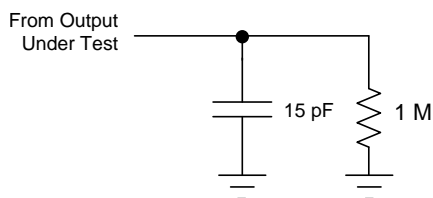
8 Parameter Measurement Information

Unless otherwise noted, all input pulses are supplied by generators that have the following characteristics:

- PRR 10 MHz
- $Z_O = 50 \Omega$
- $dv/dt \geq 1 \text{ V/ns}$

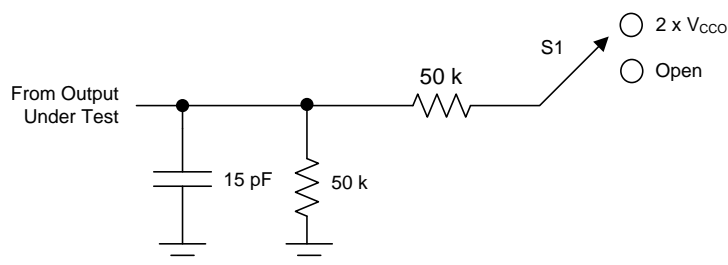
NOTE

All parameters and waveforms are not applicable to all devices.



- (1) The outputs are measured one at a time, with one transition per measurement.

Figure 4. Load Circuit For Maximum Data Rate: Pulse Duration, Propagation Delay Output Rise, And Fall Time Measurement

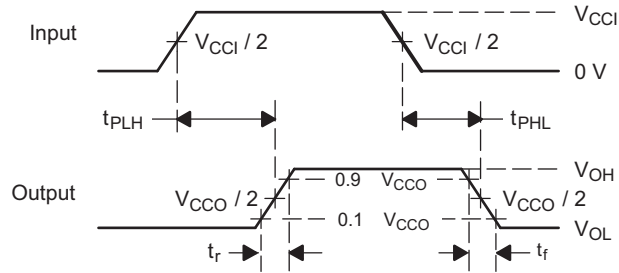


- (1) The outputs are measured one at a time, with one transition per measurement.

Figure 5. Load Circuit For Enable / Disable Time Measurement

Table 1. Switch Position For Enable / Disable Time Measurement (See Figure 5)

TEST	S1
t_{PZL}, t_{PLZ}	$2 \times V_{CCO}$
t_{PHZ}, t_{PZH}	Open



- (1) V_{CCI} is the V_{CC} associated with the input port.
- (2) V_{CCO} is the V_{CC} associated with the output port.
- (3) t_{PLH} and t_{PHL} are the same as t_{pd} .
- (4) The outputs are measured one at a time, with one transition per measurement.

Figure 6. Voltage Waveforms Propagation Delay Times

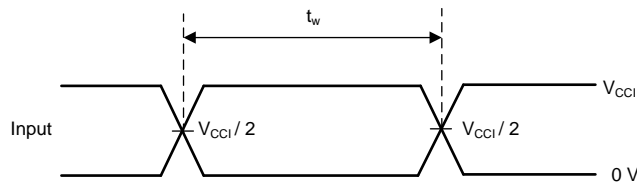


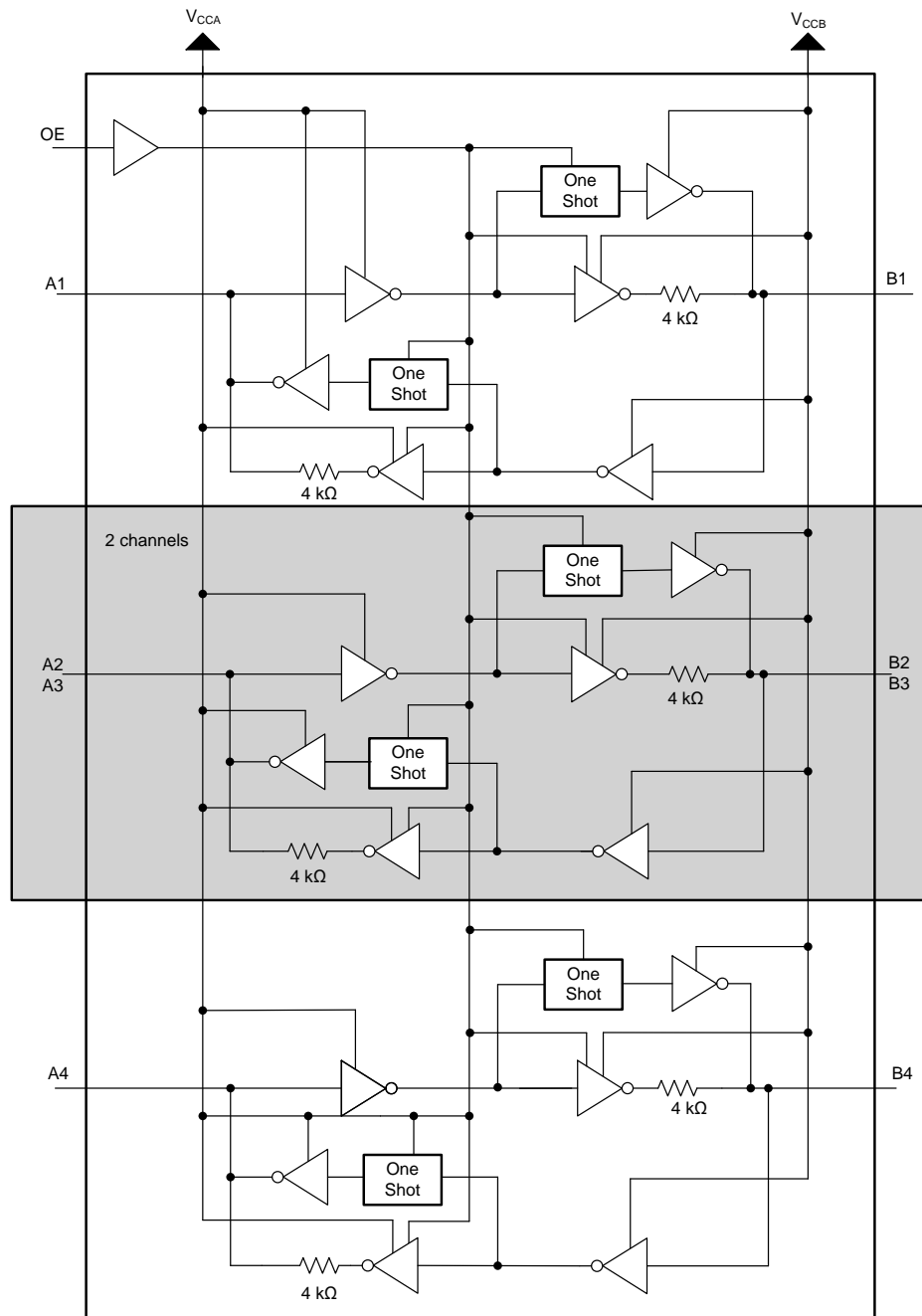
Figure 7. Voltage Waveforms Pulse Duration

9 Detailed Description

9.1 Overview

The TXB0104 device is a 4-bit, directionless voltage-level translator specifically designed for translating logic voltage levels. The A port is able to accept I/O voltages ranging from 1.2 V to 3.6 V, while the B port can accept I/O voltages from 1.65 V to 5.5 V. The device is a buffered architecture with edge-rate accelerators (one-shots) to improve the overall data rate. This device can only translate push-pull CMOS logic outputs. If for open-drain signal translation, please refer to TI's TXS010X products.

9.2 Functional Block Diagram



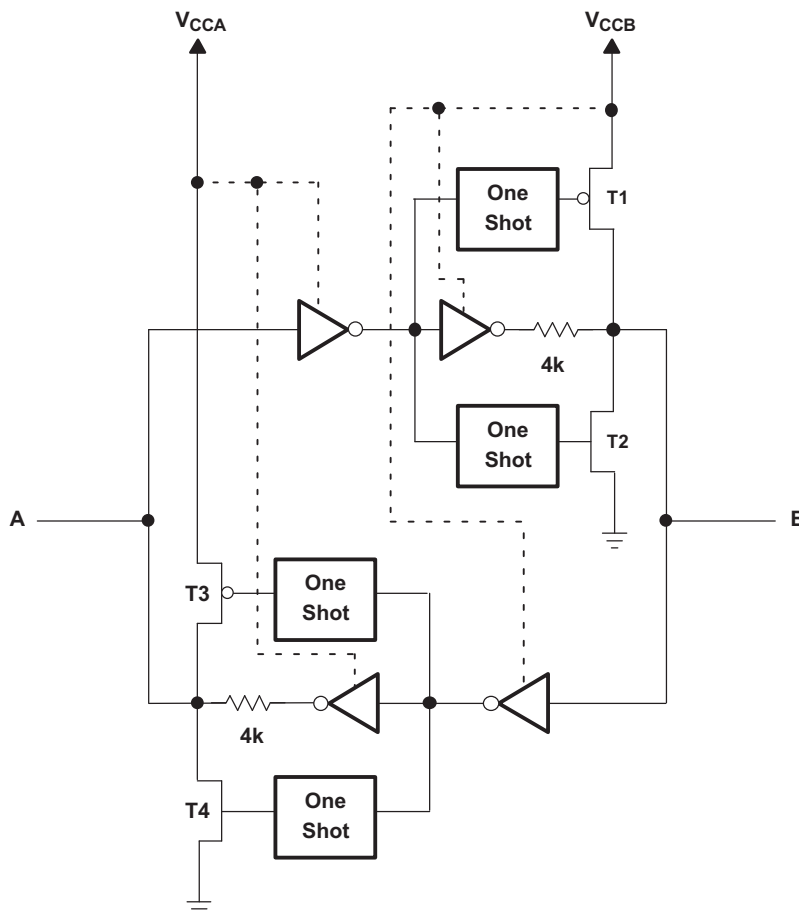
Copyright © 2018, Texas Instruments Incorporated

9.3 Feature Description

9.3.1 Architecture

The TXB0104 device architecture (see [Figure 8](#)) does not require a direction-control signal to control the direction of data flow from A to B or from B to A. In a DC state, the output drivers of the device maintain a high or low, but are designed to be weak, so the output drivers can be overdriven by an external driver when data on the bus flows the opposite direction.

The output one-shots detect rising or falling edges on the A or B ports. During a rising edge, the one-shot turns on the PMOS transistors (T1, T3) for a short duration, which speeds up the low-to-high transition. Similarly, during a falling edge, the one-shot turns on the NMOS transistors (T2, T4) for a short duration, which speeds up the high-to-low transition. The typical output impedance during output transition is 70 Ω at $V_{CCO} = 1.2\text{ V to }1.8\text{ V}$, 50 Ω at $V_{CCO} = 1.8\text{ V to }3.3\text{ V}$, and 40 Ω at $V_{CCO} = 3.3\text{ V to }5\text{ V}$.



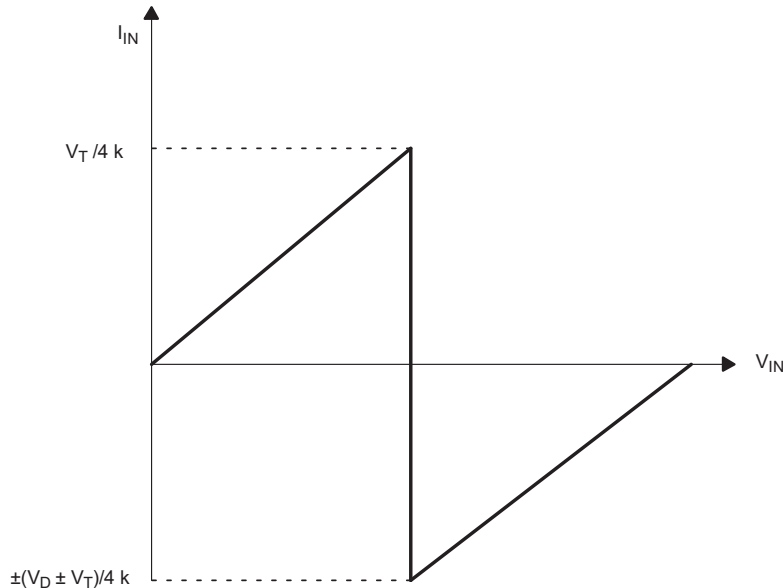
Copyright © 2018, Texas Instruments Incorporated

Figure 8. Architecture of TXB0104 Device I/O Cell

Feature Description (continued)

9.3.2 Input Driver Requirements

Typical I_{IN} vs V_{IN} characteristics of the device are shown in Figure 9. For proper operation, the device driving the data I/Os of the TXB0104 device must have drive strength of at least ± 2 mA.



- (1) V_T is the input threshold of the TXB0104 device, (typically $V_{CC} / 2$).
- (2) V_D is the supply voltage of the external driver.

Figure 9. Typical I_{IN} vs V_{IN} Curve

9.3.3 Output Load Considerations

TI recommends careful PCB layout practices with short PCB trace lengths to avoid excessive capacitive loading and to ensure that proper O.S. triggering takes place. PCB signal trace-lengths must be kept short enough such that the round trip delay of any reflection is less than the one-shot duration. This improves signal integrity by ensuring that any reflection sees a low impedance at the driver. The O.S. circuits have been designed to stay on for approximately 10 ns. The maximum capacitance of the lumped load that can be driven also depends directly on the one-shot duration. With very heavy capacitive loads, the one-shot can time-out before the signal is driven fully to the positive rail. The O.S. duration has been set to best optimize trade-offs between dynamic ICC, load driving capability, and maximum bit-rate considerations. Both PCB trace length and connectors add to the capacitance that the device output sees, so it is recommended that this lumped-load capacitance be considered to avoid O.S. retriggering, bus contention, output signal oscillations, or other adverse system-level affects.

Feature Description (continued)

9.3.4 Enable and Disable

The TXB0104 device has an OE input that is used to disable the device by setting OE = low, which places all I/Os in the high-impedance (Hi-Z) state. The disable time (t_{dis}) indicates the delay between when OE goes low and when the outputs actually get disabled (Hi-Z). The enable time (t_{en}) indicates the amount of time the user must allow for the one-shot circuitry to become operational after OE is taken high.

9.3.5 Pullup or Pulldown Resistors on I/O Lines

The device is designed to drive capacitive loads of up to 70 pF. The output drivers of the TXB0104 device have low dc drive strength. If pullup or pulldown resistors are connected externally to the data I/Os, their values must be kept higher than 50 k Ω to ensure that they do not contend with the output drivers of the TXB0104 device.

For the same reason, the TXB0104 device must not be used in applications such as I²C or 1-Wire where an open-drain driver is connected on the bidirectional data I/O. For these applications, use a device from the TI TXS01xx series of level translators.

9.4 Device Functional Modes

The device has two functional modes, enabled and disabled. To disable the device, set the OE input to low, which places all I/Os in a high impedance state. Setting the OE input to high will enable the device.

10 Application and Implementation

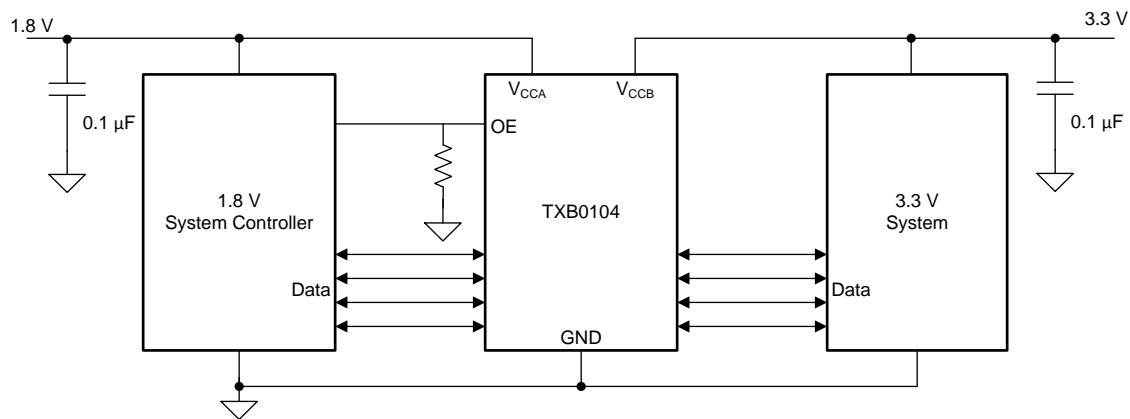
NOTE

Information in the following applications sections is not part of the TI component specification, and TI does not warrant its accuracy or completeness. TI's customers are responsible for determining suitability of components for their purposes. Customers must validate and test their design implementation to confirm system functionality.

10.1 Application Information

The TXB0104 device can be used in level-translation applications for interfacing devices or systems operating at different interface voltages with one another. It can only translate push-pull CMOS logic outputs. If for open-drain signal translation, please refer to TI TXS010X products. Any external pulldown or pullup resistors are recommended larger than 50 k Ω .

10.2 Typical Application



Copyright © 2018, Texas Instruments Incorporated

10.2.1 Design Requirements

For this design example, use the parameters listed in [Table 2](#). And make sure the $V_{CCA} \leq V_{CCB}$.

Table 2. Design Parameters

DESIGN PARAMETERS	EXAMPLE VALUE
Input voltage range	1.2 V to 3.6 V
Output voltage range	1.65 V to 5.5 V

10.2.2 Detailed Design Procedure

To begin the design process, determine the following:

- Input voltage range
 - Use the supply voltage of the device that is driving the TXB0104 device to determine the input voltage range. For a valid logic high, the value must exceed the V_{IH} of the input port. For a valid logic low, the value must be less than the V_{IL} of the input port.
- Output voltage range
 - Use the supply voltage of the device that the device is driving to determine the output voltage range.
 - External pullup or pulldown resistors are not recommended. If mandatory, it is recommended that the value must be larger than 50 k Ω .
- An external pulldown or pullup resistor decreases the output V_{OH} and V_{OL} . Use the below equations to draft estimate the V_{OH} and V_{OL} as a result of an external pulldown and pullup resistor.

$$V_{OH} = V_{CCx} \times R_{PD} / (R_{PD} + 4.5 \text{ k}\Omega)$$

$$V_{OL} = V_{CCx} \times 4.5 \text{ k}\Omega / (R_{PU} + 4.5 \text{ k}\Omega)$$

Where

- V_{CCx} is the output port supply voltage on either V_{CCA} or V_{CCB}
- R_{PD} is the value of the external pull down resistor
- R_{PU} is the value of the external pull up resistor
- 4.5 k Ω is the counting the variation of the serial resistor 4 k Ω in the I/O line.

10.2.3 Application Curves

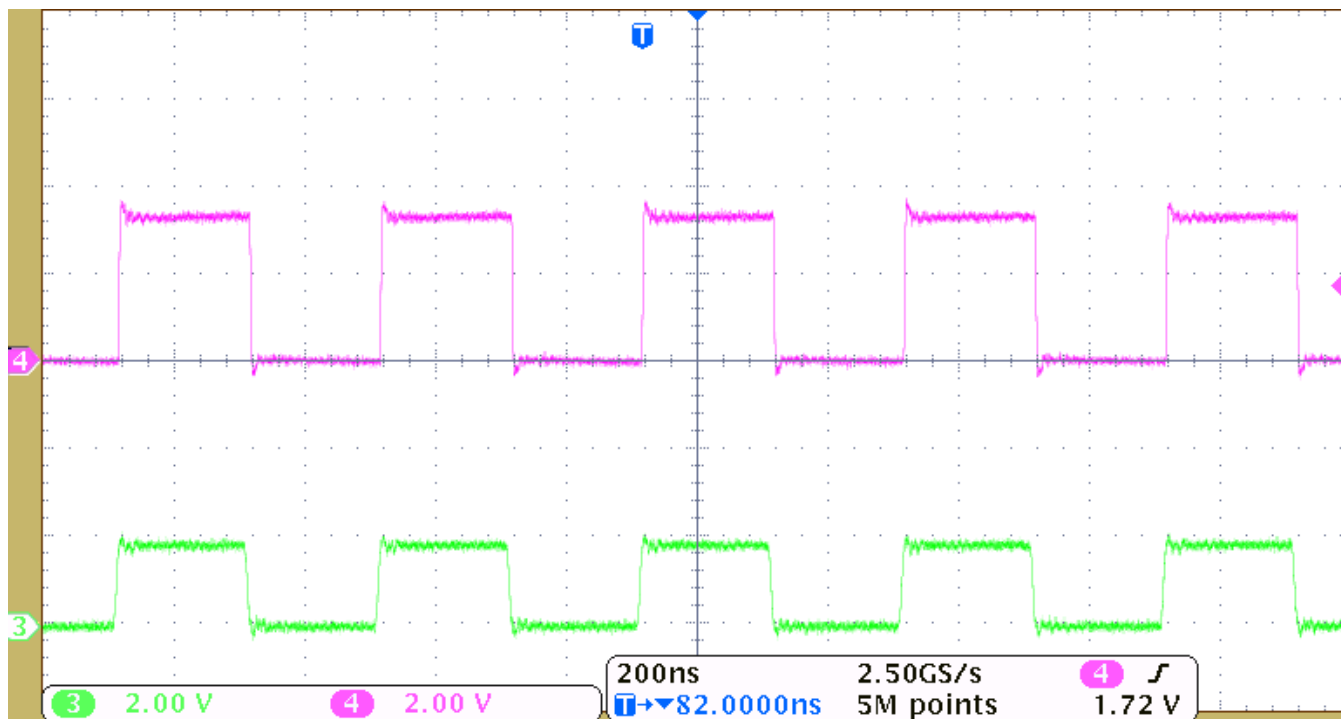


Figure 10. Level-Translation of a 2.5-MHz Signal

11 Power Supply Recommendations

During operation, ensure that $V_{CCA} \leq V_{CCB}$ at all times. During power-up sequencing, $V_{CCA} \geq V_{CCB}$ does not damage the device, so any power supply can be ramped up first. The device has circuitry that disables all output ports when either V_{CC} is switched off ($V_{CCA/B} = 0$ V). The output-enable (OE) input circuit is designed so that it is supplied by V_{CCA} and when the (OE) input is low, all outputs are placed in the high-impedance state. To ensure the high-impedance state of the outputs during power up or power down, the OE input pin must be tied to GND through a pulldown resistor and must not be enabled until V_{CCA} and V_{CCB} are fully ramped and stable. The minimum value of the pulldown resistor to ground is determined by the current-sourcing capability of the driver.

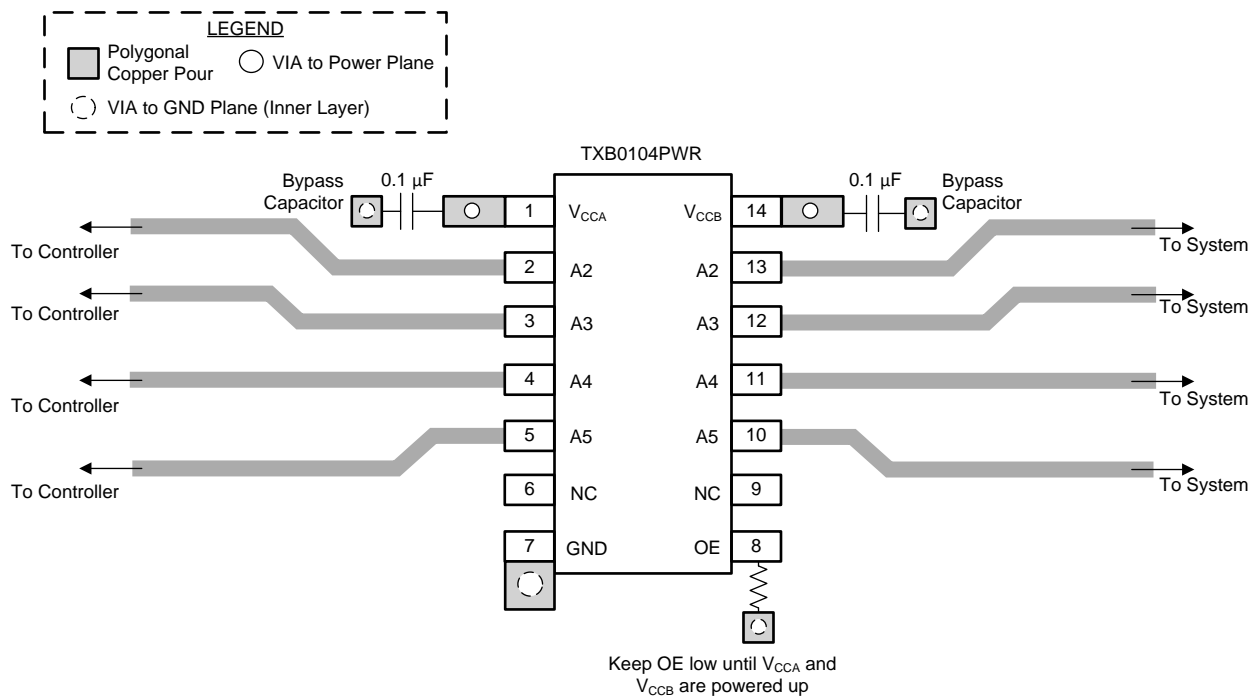
12 Layout

12.1 Layout Guidelines

To ensure reliability of the device, following common printed-circuit board layout guidelines is recommended.

- Bypass capacitors must be used on power supplies, and must be placed as close as possible to the V_{CCA} , V_{CCB} pin and GND pin.
- Short trace-lengths must be used to avoid excessive loading.
- PCB signal trace-lengths must be kept short enough so that the round-trip delay of any reflection is less than the one-shot duration, approximately 10 ns, ensuring that any reflection encounters low impedance at the source driver.

12.2 Layout Example



Copyright © 2018, Texas Instruments Incorporated

13 Device and Documentation Support

13.1 Receiving Notification of Documentation Updates

To receive notification of documentation updates, navigate to the device product folder on ti.com. In the upper right corner, click on *Alert me* to register and receive a weekly digest of any product information that has changed. For change details, review the revision history included in any revised document.

13.2 Community Resources

The following links connect to TI community resources. Linked contents are provided "AS IS" by the respective contributors. They do not constitute TI specifications and do not necessarily reflect TI's views; see TI's [Terms of Use](#).

TI E2E™ Online Community *TI's Engineer-to-Engineer (E2E) Community*. Created to foster collaboration among engineers. At e2e.ti.com, you can ask questions, share knowledge, explore ideas and help solve problems with fellow engineers.

Design Support *TI's Design Support* Quickly find helpful E2E forums along with design support tools and contact information for technical support.

13.3 Trademarks

E2E is a trademark of Texas Instruments.

is a trademark of ~ Texas Instruments.

All other trademarks are the property of their respective owners.

13.4 Electrostatic Discharge Caution



This integrated circuit can be damaged by ESD. Texas Instruments recommends that all integrated circuits be handled with appropriate precautions. Failure to observe proper handling and installation procedures can cause damage.

ESD damage can range from subtle performance degradation to complete device failure. Precision integrated circuits may be more susceptible to damage because very small parametric changes could cause the device not to meet its published specifications.

13.5 Glossary

[SLYZ022](#) — *TI Glossary*.

This glossary lists and explains terms, acronyms, and definitions.

14 Mechanical, Packaging, and Orderable Information

The following pages include mechanical, packaging, and orderable information. This information is the most current data available for the designated devices. This data is subject to change without notice and revision of this document. For browser-based versions of this data sheet, refer to the left-hand navigation.

PACKAGING INFORMATION

Orderable Device	Status (1)	Package Type	Package Drawing	Pins	Package Qty	Eco Plan (2)	Lead/Ball Finish (6)	MSL Peak Temp (3)	Op Temp (°C)	Device Marking (4/5)	Samples
HPA01164RUTR	ACTIVE	UQFN	RUT	12	3000	Green (RoHS & no Sb/Br)	CU NIPDAU	Level-1-260C-UNLIM	-40 to 85	(2KR, 2KV)	Samples
TXB0104D	ACTIVE	SOIC	D	14	50	Green (RoHS & no Sb/Br)	CU NIPDAU	Level-1-260C-UNLIM	-40 to 85	TXB0104	Samples
TXB0104DG4	ACTIVE	SOIC	D	14	50	Green (RoHS & no Sb/Br)	CU NIPDAU	Level-1-260C-UNLIM	-40 to 85	TXB0104	Samples
TXB0104DR	ACTIVE	SOIC	D	14	2500	Green (RoHS & no Sb/Br)	CU NIPDAU	Level-1-260C-UNLIM	-40 to 85	TXB0104	Samples
TXB0104DRG4	ACTIVE	SOIC	D	14	2500	Green (RoHS & no Sb/Br)	CU NIPDAU	Level-1-260C-UNLIM	-40 to 85	TXB0104	Samples
TXB0104PWR	ACTIVE	TSSOP	PW	14	2000	Green (RoHS & no Sb/Br)	CU NIPDAU	Level-1-260C-UNLIM	-40 to 85	YE04	Samples
TXB0104PWRG4	ACTIVE	TSSOP	PW	14	2000	Green (RoHS & no Sb/Br)	CU NIPDAU	Level-1-260C-UNLIM	-40 to 85	YE04	Samples
TXB0104RGYR	ACTIVE	VQFN	RGY	14	3000	Green (RoHS & no Sb/Br)	CU NIPDAU	Level-2-260C-1 YEAR	-40 to 85	YE04	Samples
TXB0104RGYRG4	ACTIVE	VQFN	RGY	14	3000	Green (RoHS & no Sb/Br)	CU NIPDAU	Level-2-260C-1 YEAR	-40 to 85	YE04	Samples
TXB0104RUTR	ACTIVE	UQFN	RUT	12	3000	Green (RoHS & no Sb/Br)	CU NIPDAU CU NIPDAUAG	Level-1-260C-UNLIM	-40 to 85	(2KR, 2KV)	Samples
TXB0104YZTR	ACTIVE	DSBGA	YZT	12	3000	Green (RoHS & no Sb/Br)	SNAGCU	Level-1-260C-UNLIM	-40 to 85	(2K, 2K7)	Samples
TXB0104ZXUR	ACTIVE	BGA MICROSTAR JUNIOR	ZXU	12	2500	Green (RoHS & no Sb/Br)	SNAGCU	Level-1-260C-UNLIM	-40 to 85	YE04	Samples

(1) The marketing status values are defined as follows:

ACTIVE: Product device recommended for new designs.

LIFEBUY: TI has announced that the device will be discontinued, and a lifetime-buy period is in effect.

NRND: Not recommended for new designs. Device is in production to support existing customers, but TI does not recommend using this part in a new design.

PREVIEW: Device has been announced but is not in production. Samples may or may not be available.

OBSELETE: TI has discontinued the production of the device.

(2) **RoHS:** TI defines "RoHS" to mean semiconductor products that are compliant with the current EU RoHS requirements for all 10 RoHS substances, including the requirement that RoHS substance do not exceed 0.1% by weight in homogeneous materials. Where designed to be soldered at high temperatures, "RoHS" products are suitable for use in specified lead-free processes. TI may reference these types of products as "Pb-Free".

RoHS Exempt: TI defines "RoHS Exempt" to mean products that contain lead but are compliant with EU RoHS pursuant to a specific EU RoHS exemption.

Green: TI defines "Green" to mean the content of Chlorine (Cl) and Bromine (Br) based flame retardants meet JS709B low halogen requirements of <=1000ppm threshold. Antimony trioxide based flame retardants must also meet the <=1000ppm threshold requirement.

(3) MSL, Peak Temp. - The Moisture Sensitivity Level rating according to the JEDEC industry standard classifications, and peak solder temperature.

(4) There may be additional marking, which relates to the logo, the lot trace code information, or the environmental category on the device.

(5) Multiple Device Markings will be inside parentheses. Only one Device Marking contained in parentheses and separated by a "~" will appear on a device. If a line is indented then it is a continuation of the previous line and the two combined represent the entire Device Marking for that device.

(6) Lead/Ball Finish - Orderable Devices may have multiple material finish options. Finish options are separated by a vertical ruled line. Lead/Ball Finish values may wrap to two lines if the finish value exceeds the maximum column width.

Important Information and Disclaimer: The information provided on this page represents TI's knowledge and belief as of the date that it is provided. TI bases its knowledge and belief on information provided by third parties, and makes no representation or warranty as to the accuracy of such information. Efforts are underway to better integrate information from third parties. TI has taken and continues to take reasonable steps to provide representative and accurate information but may not have conducted destructive testing or chemical analysis on incoming materials and chemicals. TI and TI suppliers consider certain information to be proprietary, and thus CAS numbers and other limited information may not be available for release.

In no event shall TI's liability arising out of such information exceed the total purchase price of the TI part(s) at issue in this document sold by TI to Customer on an annual basis.

OTHER QUALIFIED VERSIONS OF TXB0104 :

- Automotive: [TXB0104-Q1](#)

NOTE: Qualified Version Definitions:

- Automotive - Q100 devices qualified for high-reliability automotive applications targeting zero defects

TAPE AND REEL INFORMATION



QUADRANT ASSIGNMENTS FOR PIN 1 ORIENTATION IN TAPE



*All dimensions are nominal

Device	Package Type	Package Drawing	Pins	SPQ	Reel Diameter (mm)	Reel Width W1 (mm)	A0 (mm)	B0 (mm)	K0 (mm)	P1 (mm)	W (mm)	Pin1 Quadrant
TXB0104DR	SOIC	D	14	2500	330.0	16.4	6.5	9.0	2.1	8.0	16.0	Q1
TXB0104PWR	TSSOP	PW	14	2000	330.0	12.4	6.9	5.6	1.6	8.0	12.0	Q1
TXB0104RGYR	VQFN	RGY	14	3000	330.0	12.4	3.75	3.75	1.15	8.0	12.0	Q1
TXB0104RUTR	UQFN	RUT	12	3000	180.0	9.5	1.9	2.2	0.7	4.0	8.0	Q1
TXB0104RUTR	UQFN	RUT	12	3000	180.0	8.4	1.95	2.3	0.75	4.0	8.0	Q1
TXB0104YZTR	DSBGA	YZT	12	3000	180.0	8.4	1.49	1.99	0.75	4.0	8.0	Q2
TXB0104ZXUR	BGA MICROSTAR JUNIOR	ZXU	12	2500	330.0	8.4	2.3	2.8	1.0	4.0	8.0	Q2

TAPE AND REEL BOX DIMENSIONS


*All dimensions are nominal

Device	Package Type	Package Drawing	Pins	SPQ	Length (mm)	Width (mm)	Height (mm)
TXB0104DR	SOIC	D	14	2500	367.0	367.0	38.0
TXB0104PWR	TSSOP	PW	14	2000	367.0	367.0	35.0
TXB0104RGYR	VQFN	RGY	14	3000	367.0	367.0	35.0
TXB0104RUTR	UQFN	RUT	12	3000	189.0	185.0	36.0
TXB0104RUTR	UQFN	RUT	12	3000	202.0	201.0	28.0
TXB0104YZTR	DSBGA	YZT	12	3000	182.0	182.0	20.0
TXB0104ZXUR	BGA MICROSTAR JUNIOR	ZXU	12	2500	336.6	336.6	28.6

RGY (S-PVQFN-N14)

PLASTIC QUAD FLATPACK NO-LEAD



- NOTES:
- A. All linear dimensions are in millimeters. Dimensioning and tolerancing per ASME Y14.5M-1994.
 - B. This drawing is subject to change without notice.
 - C. QFN (Quad Flatpack No-Lead) package configuration.
 - D. The package thermal pad must be soldered to the board for thermal and mechanical performance.
 - E. See the additional figure in the Product Data Sheet for details regarding the exposed thermal pad features and dimensions.
 -  Pin 1 identifiers are located on both top and bottom of the package and within the zone indicated. The Pin 1 identifiers are either a molded, marked, or metal feature.
 - G. Package complies to JEDEC MO-241 variation BA.

RGY (S-PVQFN-N14)

PLASTIC QUAD FLATPACK NO-LEAD

THERMAL INFORMATION

This package incorporates an exposed thermal pad that is designed to be attached directly to an external heatsink. The thermal pad must be soldered directly to the printed circuit board (PCB). After soldering, the PCB can be used as a heatsink. In addition, through the use of thermal vias, the thermal pad can be attached directly to the appropriate copper plane shown in the electrical schematic for the device, or alternatively, can be attached to a special heatsink structure designed into the PCB. This design optimizes the heat transfer from the integrated circuit (IC).

For information on the Quad Flatpack No-Lead (QFN) package and its advantages, refer to Application Report, QFN/SON PCB Attachment, Texas Instruments Literature No. SLUA271. This document is available at www.ti.com.

The exposed thermal pad dimensions for this package are shown in the following illustration.



Bottom View

Exposed Thermal Pad Dimensions

4206353-2/P 03/14

NOTE: All linear dimensions are in millimeters

RGY (S-PVQFN-N14)

PLASTIC QUAD FLATPACK NO-LEAD

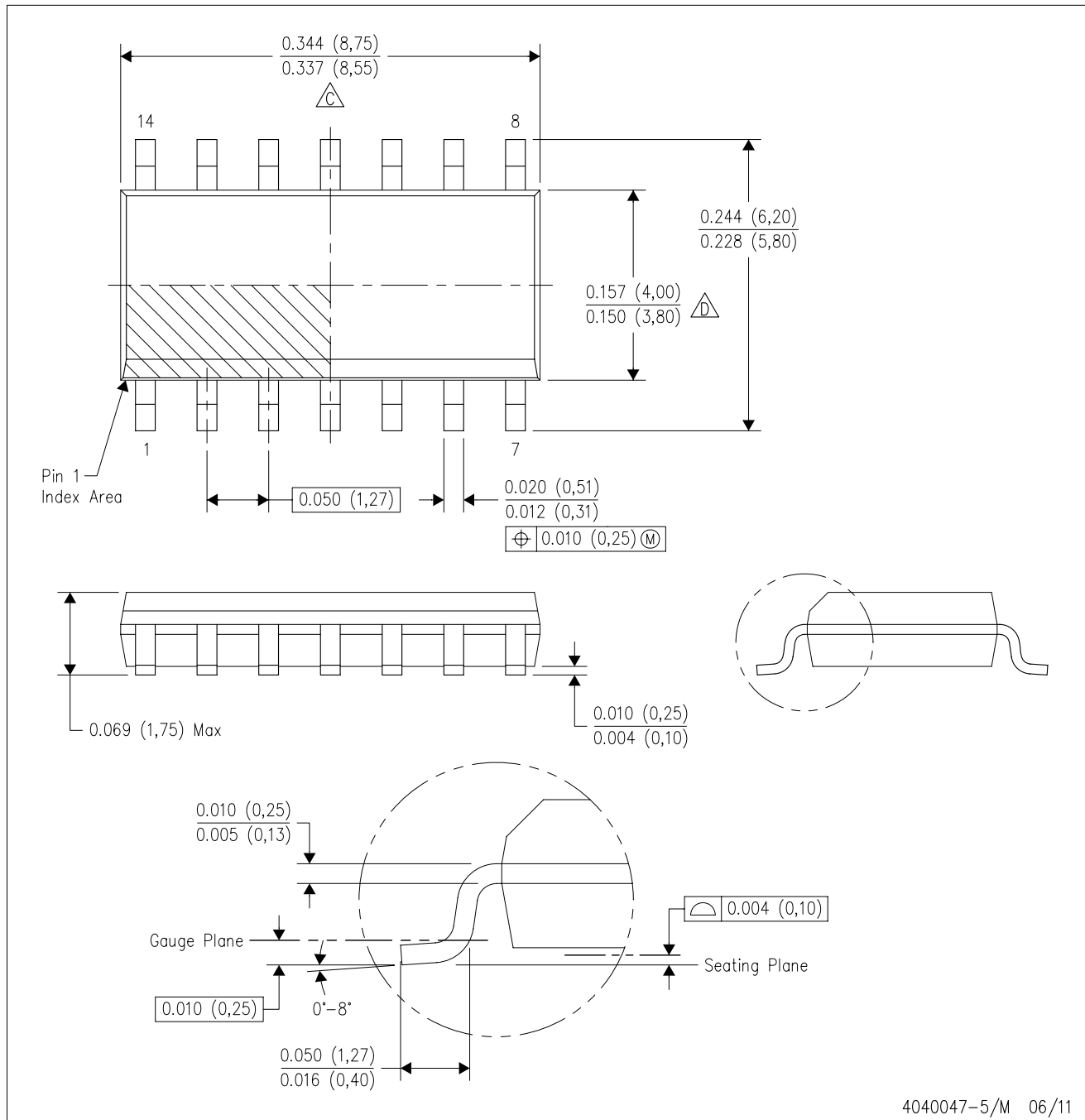


4208122-2/P 03/14

- NOTES:
- All linear dimensions are in millimeters.
 - This drawing is subject to change without notice.
 - Publication IPC-7351 is recommended for alternate designs.
 - This package is designed to be soldered to a thermal pad on the board. Refer to Application Note, Quad Flat-Pack QFN/SON PCB Attachment, Texas Instruments Literature No. SLUA271, and also the Product Data Sheets for specific thermal information, via requirements, and recommended board layout. These documents are available at www.ti.com <<http://www.ti.com>>.
 - Laser cutting apertures with trapezoidal walls and also rounding corners will offer better paste release. Customers should contact their board assembly site for stencil design recommendations. Refer to IPC 7525 for stencil design considerations.
 - Customers should contact their board fabrication site for minimum solder mask web tolerances between signal pads.

D (R-PDSO-G14)

PLASTIC SMALL OUTLINE



- NOTES:
- A. All linear dimensions are in inches (millimeters).
 - B. This drawing is subject to change without notice.
 - $\triangle C$ Body length does not include mold flash, protrusions, or gate burrs. Mold flash, protrusions, or gate burrs shall not exceed 0.006 (0,15) each side.
 - $\triangle D$ Body width does not include interlead flash. Interlead flash shall not exceed 0.017 (0,43) each side.
 - E. Reference JEDEC MS-012 variation AB.

D (R-PDSO-G14)

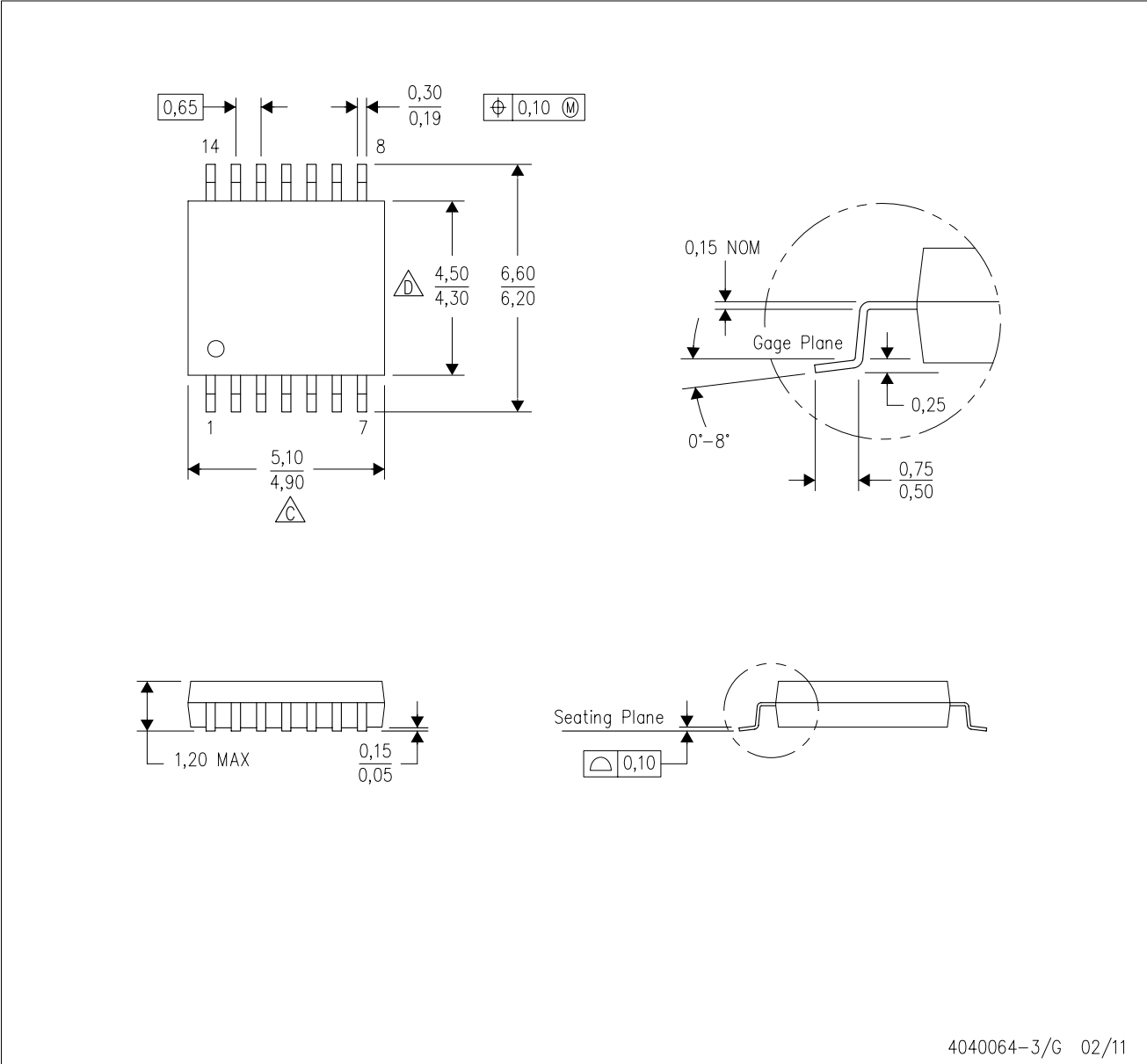
PLASTIC SMALL OUTLINE



- NOTES:
- A. All linear dimensions are in millimeters.
 - B. This drawing is subject to change without notice.
 - C. Publication IPC-7351 is recommended for alternate designs.
 - D. Laser cutting apertures with trapezoidal walls and also rounding corners will offer better paste release. Customers should contact their board assembly site for stencil design recommendations. Refer to IPC-7525 for other stencil recommendations.
 - E. Customers should contact their board fabrication site for solder mask tolerances between and around signal pads.

PW (R-PDSO-G14)

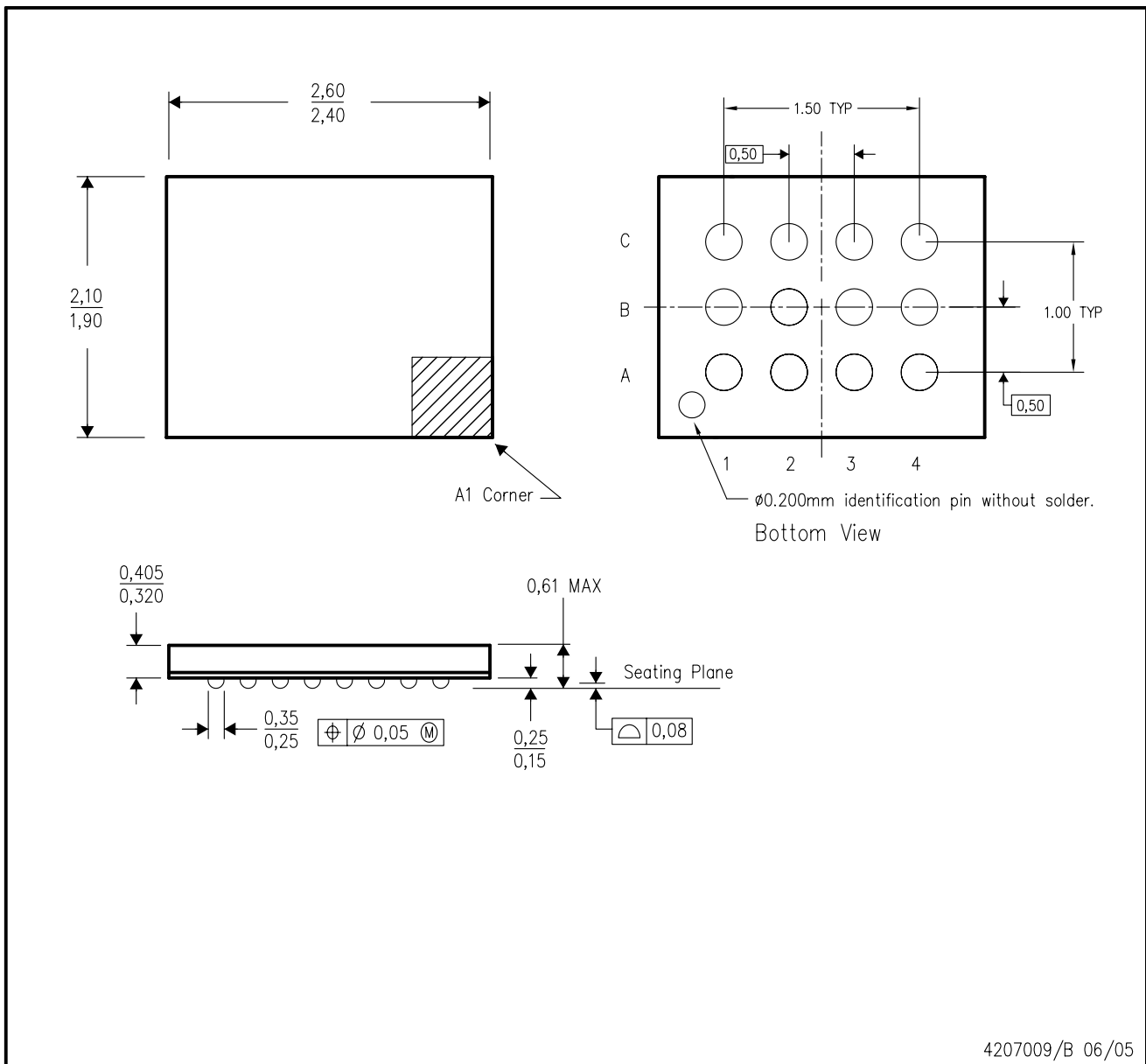
PLASTIC SMALL OUTLINE



- NOTES:
- A. All linear dimensions are in millimeters. Dimensioning and tolerancing per ASME Y14.5M-1994.
 - B. This drawing is subject to change without notice.
 - C. Body length does not include mold flash, protrusions, or gate burrs. Mold flash, protrusions, or gate burrs shall not exceed 0,15 each side.
 - D. Body width does not include interlead flash. Interlead flash shall not exceed 0,25 each side.
 - E. Falls within JEDEC MO-153

ZXU (S-PBGA-N12)

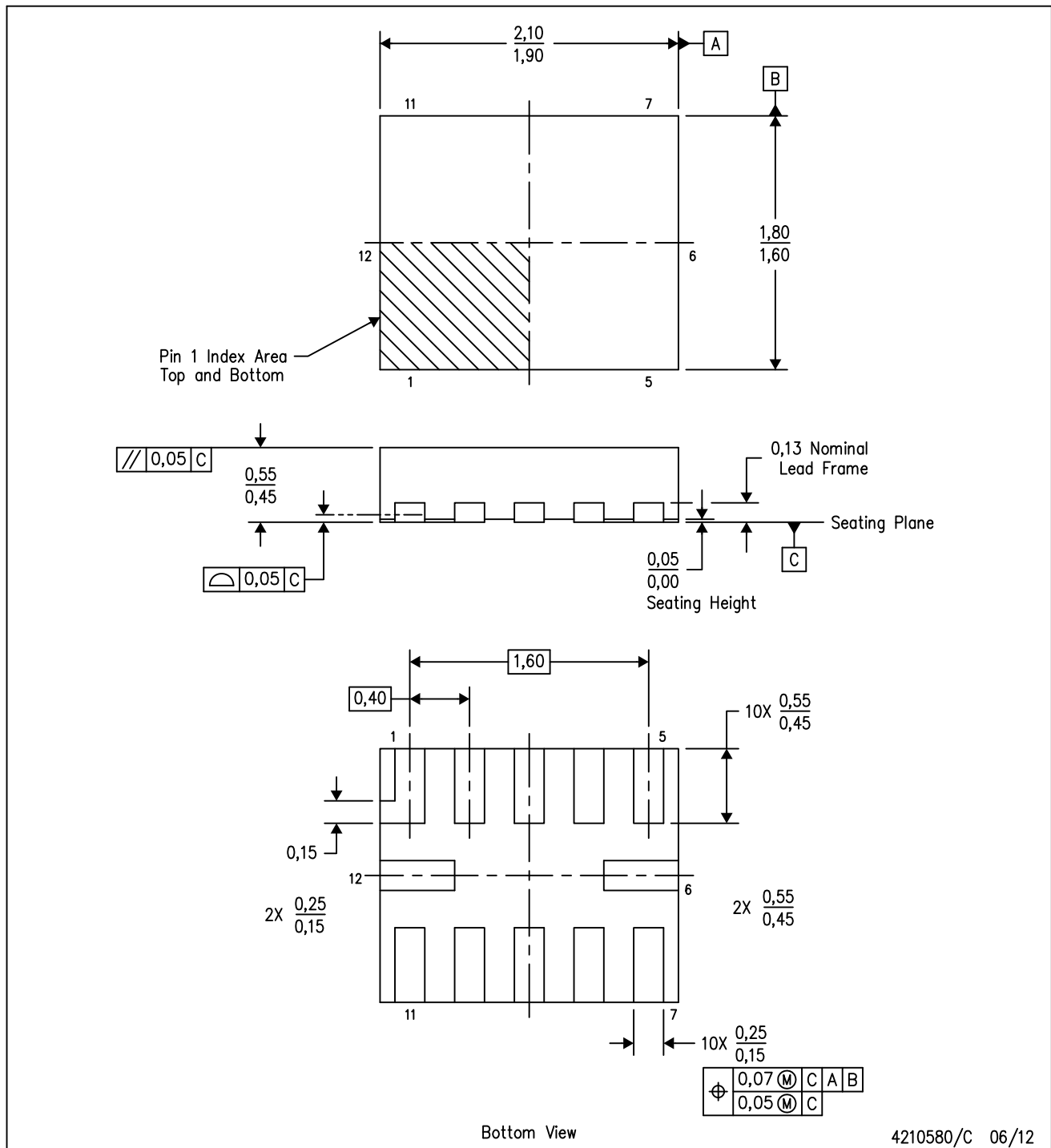
PLASTIC BALL GRID ARRAY



- NOTES:
- A. All linear dimensions are in millimeters.
 - B. This drawing is subject to change without notice.
 - C. This package is a lead-free solder ball design.

RUT (R-PUQFN-N12)

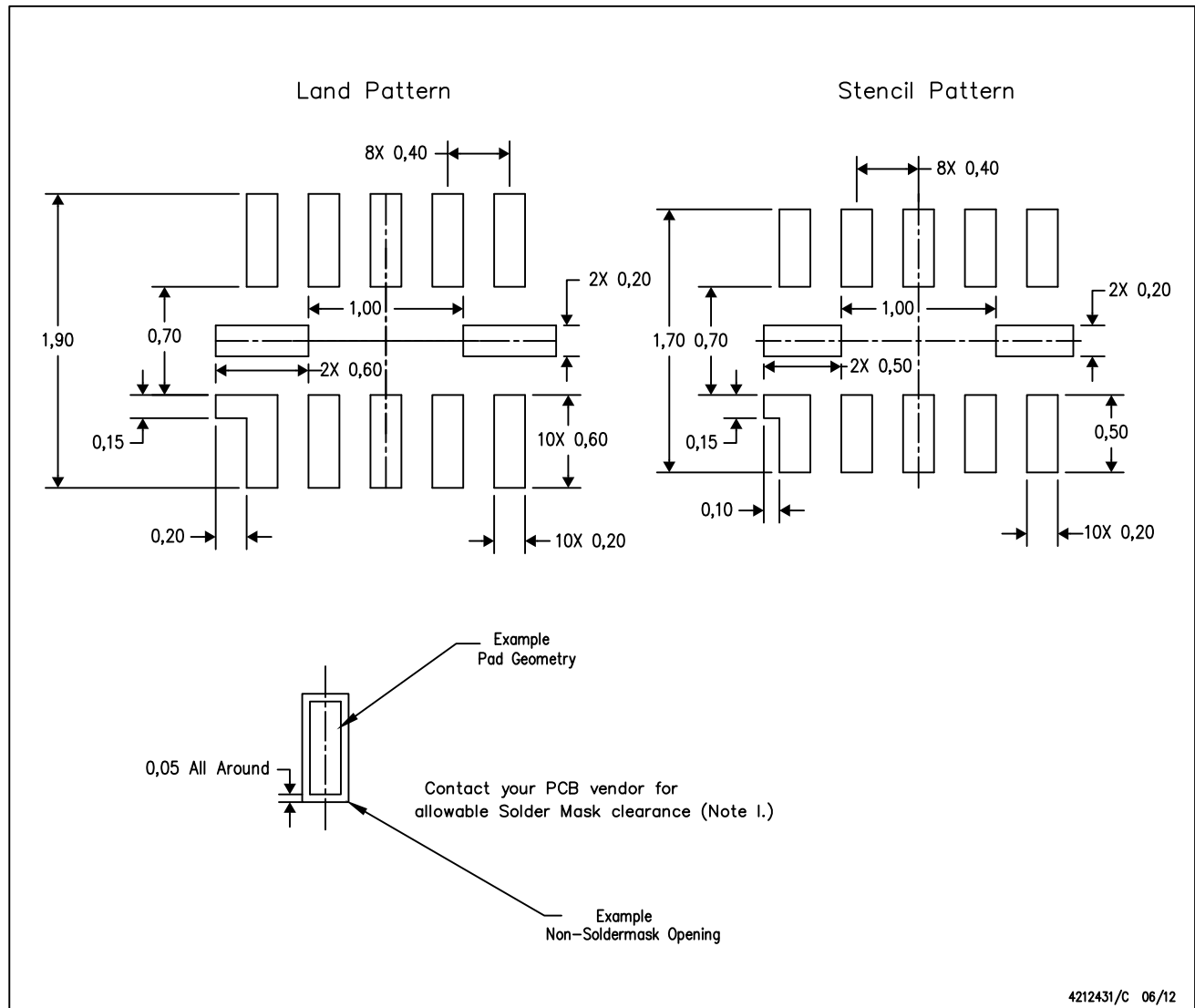
PLASTIC QUAD FLATPACK NO-LEAD



- NOTES:
- All linear dimensions are in millimeters. Dimensioning and tolerancing per ASME Y14.5M-1994.
 - This drawing is subject to change without notice.
 - QFN (Quad Flatpack No-Lead) package configuration.

RUT (R-PUQFN-N12)

PLASTIC QUAD FLATPACK NO-LEAD



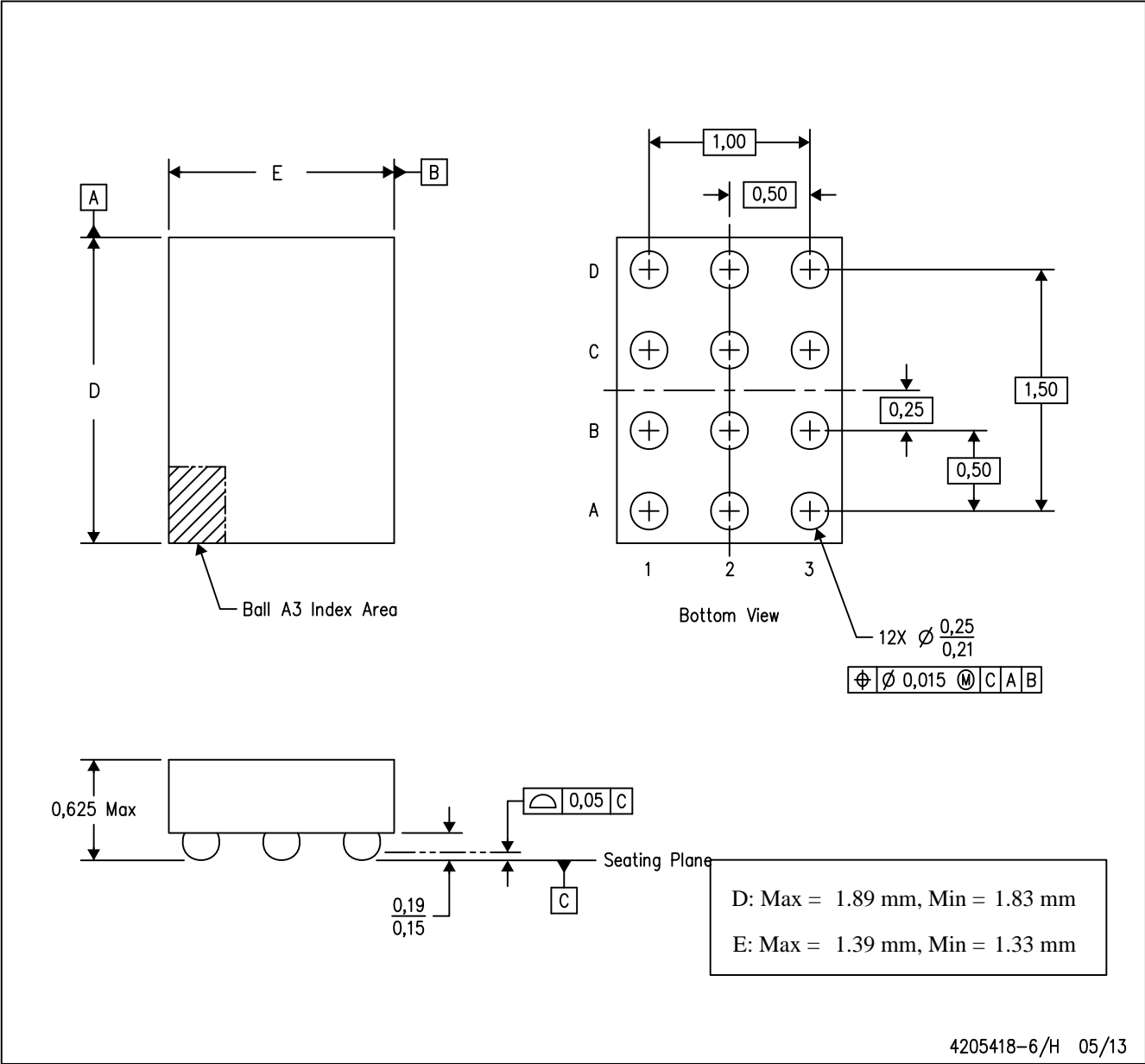
4212431/C 06/12

- NOTES:
- A. All linear dimensions are in millimeters.
 - B. This drawing is subject to change without notice.
 - C. Publication IPC-7351 is recommended for alternate designs.
 - D. Customers should contact their board fabrication site for minimum solder mask web tolerances between signal pads.
 - E. Maximum stencil thickness 0,1016 mm (4 mils). All linear dimensions are in millimeters.
 - F. Laser cutting apertures with trapezoidal walls and also rounding corners will offer better paste release. Customers should contact their board assembly site for stencil design recommendations. Refer to IPC 7525 for stencil design considerations.
 - G. Over-printing land for larger area ratio is not advised due to land width and bridging potential. Exercise extreme caution.
 - H. Suggest stencils cut with lasers such as Fiber Laser that produce the greatest positional accuracy.
 - I. Component placement force should be minimized to prevent excessive paste block deformation.

MECHANICAL DATA

YZT (R-XBGA-N12)

(CUSTOM) DIE-SIZE BALL GRID ARRAY



- NOTES:
- A. All linear dimensions are in millimeters. Dimensioning and tolerancing per ASME Y14.5M-1994.
 - B. This drawing is subject to change without notice.
 - C. NanoFree™ package configuration.

NanoFree is a trademark of Texas Instruments.

IMPORTANT NOTICE

Texas Instruments Incorporated (TI) reserves the right to make corrections, enhancements, improvements and other changes to its semiconductor products and services per JESD46, latest issue, and to discontinue any product or service per JESD48, latest issue. Buyers should obtain the latest relevant information before placing orders and should verify that such information is current and complete.

TI's published terms of sale for semiconductor products (<http://www.ti.com/sc/docs/stdterms.htm>) apply to the sale of packaged integrated circuit products that TI has qualified and released to market. Additional terms may apply to the use or sale of other types of TI products and services.

Reproduction of significant portions of TI information in TI data sheets is permissible only if reproduction is without alteration and is accompanied by all associated warranties, conditions, limitations, and notices. TI is not responsible or liable for such reproduced documentation. Information of third parties may be subject to additional restrictions. Resale of TI products or services with statements different from or beyond the parameters stated by TI for that product or service voids all express and any implied warranties for the associated TI product or service and is an unfair and deceptive business practice. TI is not responsible or liable for any such statements.

Buyers and others who are developing systems that incorporate TI products (collectively, "Designers") understand and agree that Designers remain responsible for using their independent analysis, evaluation and judgment in designing their applications and that Designers have full and exclusive responsibility to assure the safety of Designers' applications and compliance of their applications (and of all TI products used in or for Designers' applications) with all applicable regulations, laws and other applicable requirements. Designer represents that, with respect to their applications, Designer has all the necessary expertise to create and implement safeguards that (1) anticipate dangerous consequences of failures, (2) monitor failures and their consequences, and (3) lessen the likelihood of failures that might cause harm and take appropriate actions. Designer agrees that prior to using or distributing any applications that include TI products, Designer will thoroughly test such applications and the functionality of such TI products as used in such applications.

TI's provision of technical, application or other design advice, quality characterization, reliability data or other services or information, including, but not limited to, reference designs and materials relating to evaluation modules, (collectively, "TI Resources") are intended to assist designers who are developing applications that incorporate TI products; by downloading, accessing or using TI Resources in any way, Designer (individually or, if Designer is acting on behalf of a company, Designer's company) agrees to use any particular TI Resource solely for this purpose and subject to the terms of this Notice.

TI's provision of TI Resources does not expand or otherwise alter TI's applicable published warranties or warranty disclaimers for TI products, and no additional obligations or liabilities arise from TI providing such TI Resources. TI reserves the right to make corrections, enhancements, improvements and other changes to its TI Resources. TI has not conducted any testing other than that specifically described in the published documentation for a particular TI Resource.

Designer is authorized to use, copy and modify any individual TI Resource only in connection with the development of applications that include the TI product(s) identified in such TI Resource. NO OTHER LICENSE, EXPRESS OR IMPLIED, BY ESTOPPEL OR OTHERWISE TO ANY OTHER TI INTELLECTUAL PROPERTY RIGHT, AND NO LICENSE TO ANY TECHNOLOGY OR INTELLECTUAL PROPERTY RIGHT OF TI OR ANY THIRD PARTY IS GRANTED HEREIN, including but not limited to any patent right, copyright, mask work right, or other intellectual property right relating to any combination, machine, or process in which TI products or services are used. Information regarding or referencing third-party products or services does not constitute a license to use such products or services, or a warranty or endorsement thereof. Use of TI Resources may require a license from a third party under the patents or other intellectual property of the third party, or a license from TI under the patents or other intellectual property of TI.

TI RESOURCES ARE PROVIDED "AS IS" AND WITH ALL FAULTS. TI DISCLAIMS ALL OTHER WARRANTIES OR REPRESENTATIONS, EXPRESS OR IMPLIED, REGARDING RESOURCES OR USE THEREOF, INCLUDING BUT NOT LIMITED TO ACCURACY OR COMPLETENESS, TITLE, ANY EPIDEMIC FAILURE WARRANTY AND ANY IMPLIED WARRANTIES OF MERCHANTABILITY, FITNESS FOR A PARTICULAR PURPOSE, AND NON-INFRINGEMENT OF ANY THIRD PARTY INTELLECTUAL PROPERTY RIGHTS. TI SHALL NOT BE LIABLE FOR AND SHALL NOT DEFEND OR INDEMNIFY DESIGNER AGAINST ANY CLAIM, INCLUDING BUT NOT LIMITED TO ANY INFRINGEMENT CLAIM THAT RELATES TO OR IS BASED ON ANY COMBINATION OF PRODUCTS EVEN IF DESCRIBED IN TI RESOURCES OR OTHERWISE. IN NO EVENT SHALL TI BE LIABLE FOR ANY ACTUAL, DIRECT, SPECIAL, COLLATERAL, INDIRECT, PUNITIVE, INCIDENTAL, CONSEQUENTIAL OR EXEMPLARY DAMAGES IN CONNECTION WITH OR ARISING OUT OF TI RESOURCES OR USE THEREOF, AND REGARDLESS OF WHETHER TI HAS BEEN ADVISED OF THE POSSIBILITY OF SUCH DAMAGES.

Unless TI has explicitly designated an individual product as meeting the requirements of a particular industry standard (e.g., ISO/TS 16949 and ISO 26262), TI is not responsible for any failure to meet such industry standard requirements.

Where TI specifically promotes products as facilitating functional safety or as compliant with industry functional safety standards, such products are intended to help enable customers to design and create their own applications that meet applicable functional safety standards and requirements. Using products in an application does not by itself establish any safety features in the application. Designers must ensure compliance with safety-related requirements and standards applicable to their applications. Designer may not use any TI products in life-critical medical equipment unless authorized officers of the parties have executed a special contract specifically governing such use. Life-critical medical equipment is medical equipment where failure of such equipment would cause serious bodily injury or death (e.g., life support, pacemakers, defibrillators, heart pumps, neurostimulators, and implantables). Such equipment includes, without limitation, all medical devices identified by the U.S. Food and Drug Administration as Class III devices and equivalent classifications outside the U.S.

TI may expressly designate certain products as completing a particular qualification (e.g., Q100, Military Grade, or Enhanced Product). Designers agree that it has the necessary expertise to select the product with the appropriate qualification designation for their applications and that proper product selection is at Designers' own risk. Designers are solely responsible for compliance with all legal and regulatory requirements in connection with such selection.

Designer will fully indemnify TI and its representatives against any damages, costs, losses, and/or liabilities arising out of Designer's non-compliance with the terms and provisions of this Notice.